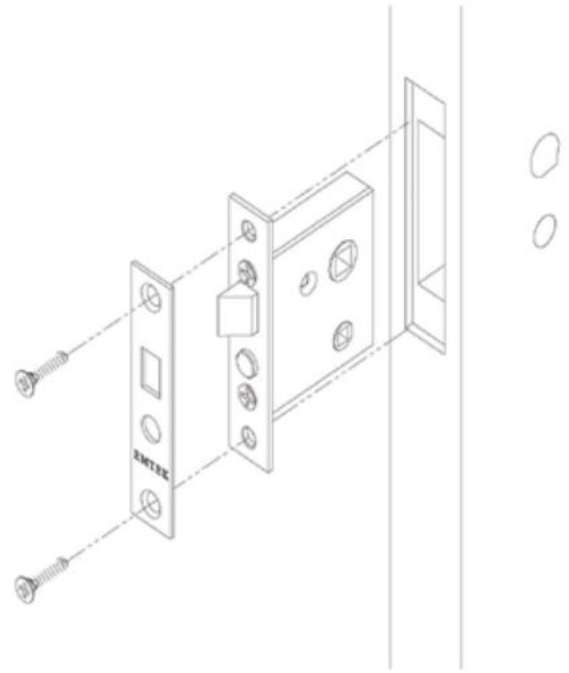
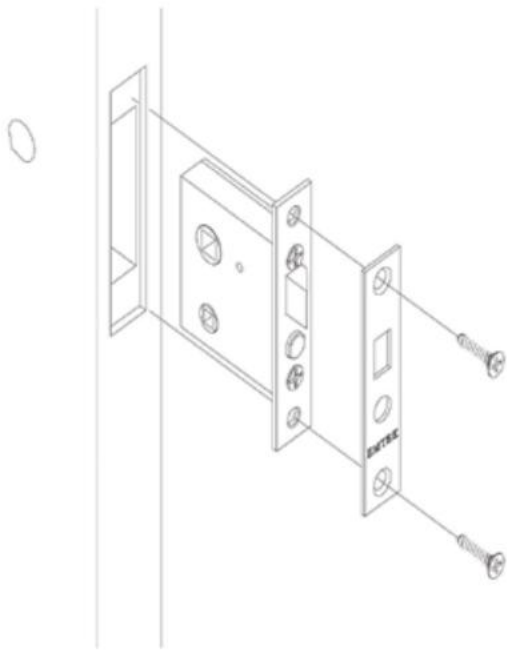


Screen Door Mortise Lock Installation Guide

Outside

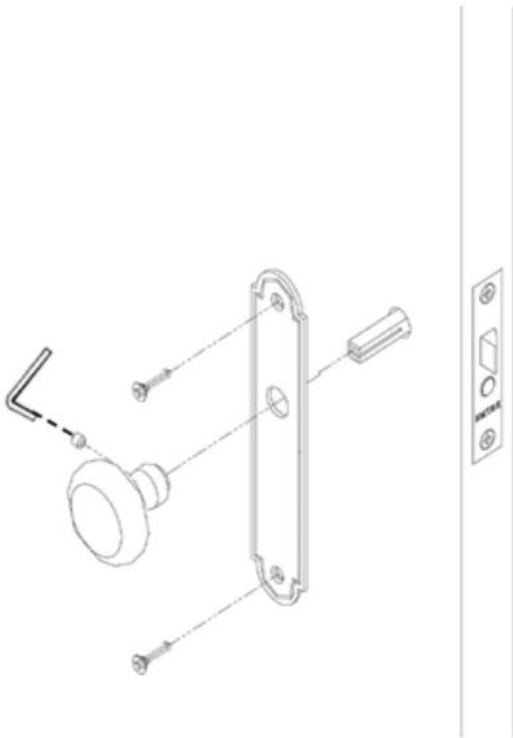
See template for door prep specifications

Inside

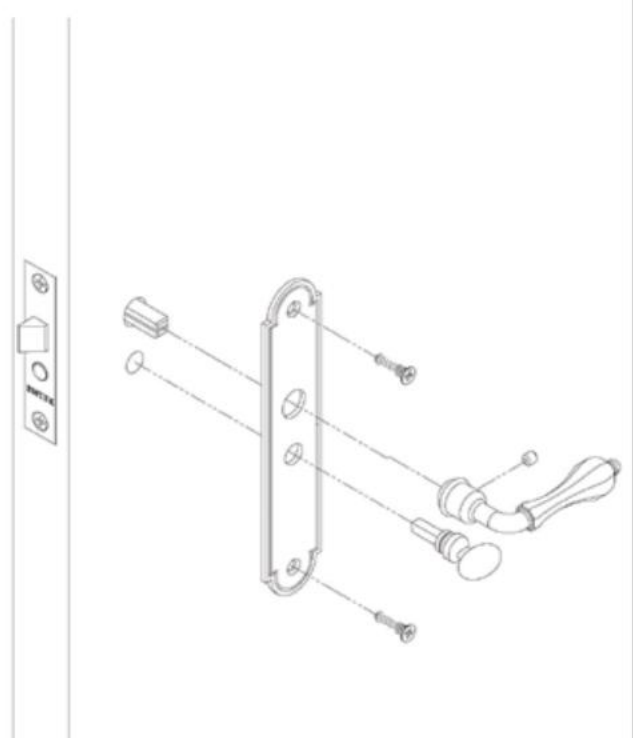


Outside Trim

Inside Trim



Secure knob & Lever to spindle stem with Allen Wrench (provided)



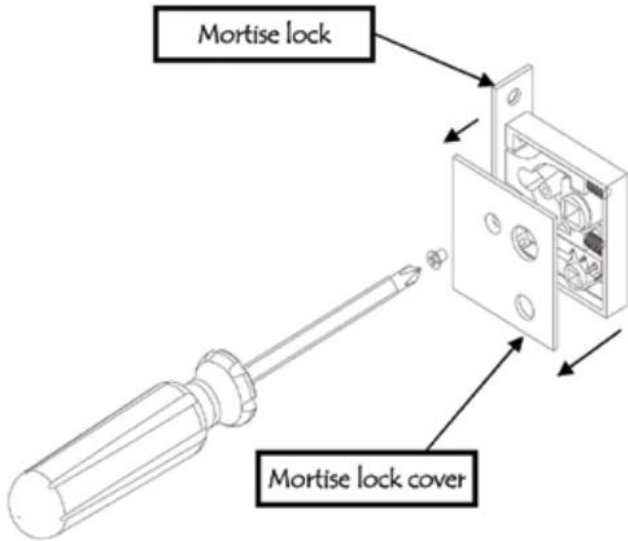
Plates and grips vary depending on style.

# Screen Door Mortise Lock Installation Guide

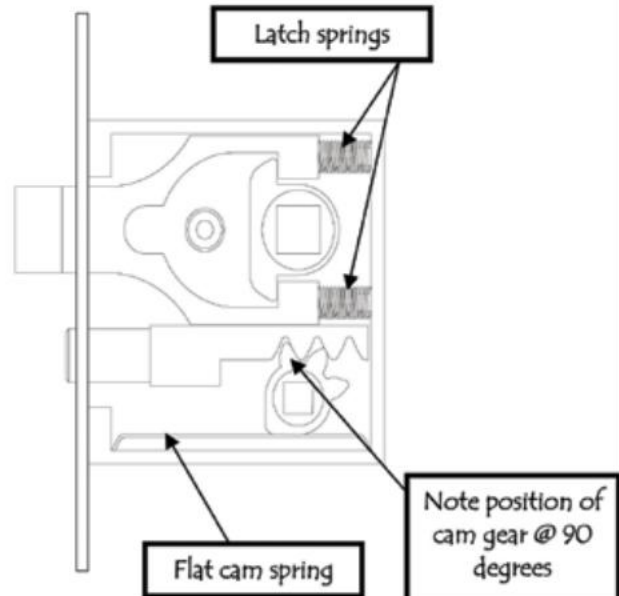
Step 1

To change latch configuration for left handed door:

Step 2



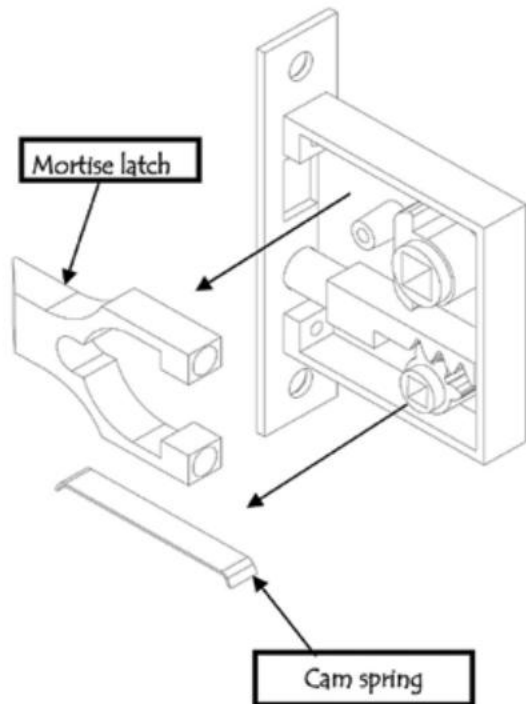
Remove mortise lock cover with Phillips screwdriver



Depress and remove latch springs & cam spring  
Using needle nose pliers

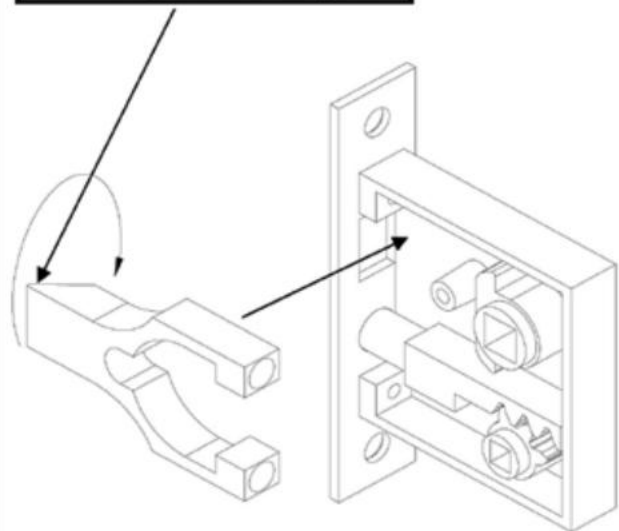
Step 3

Step 4



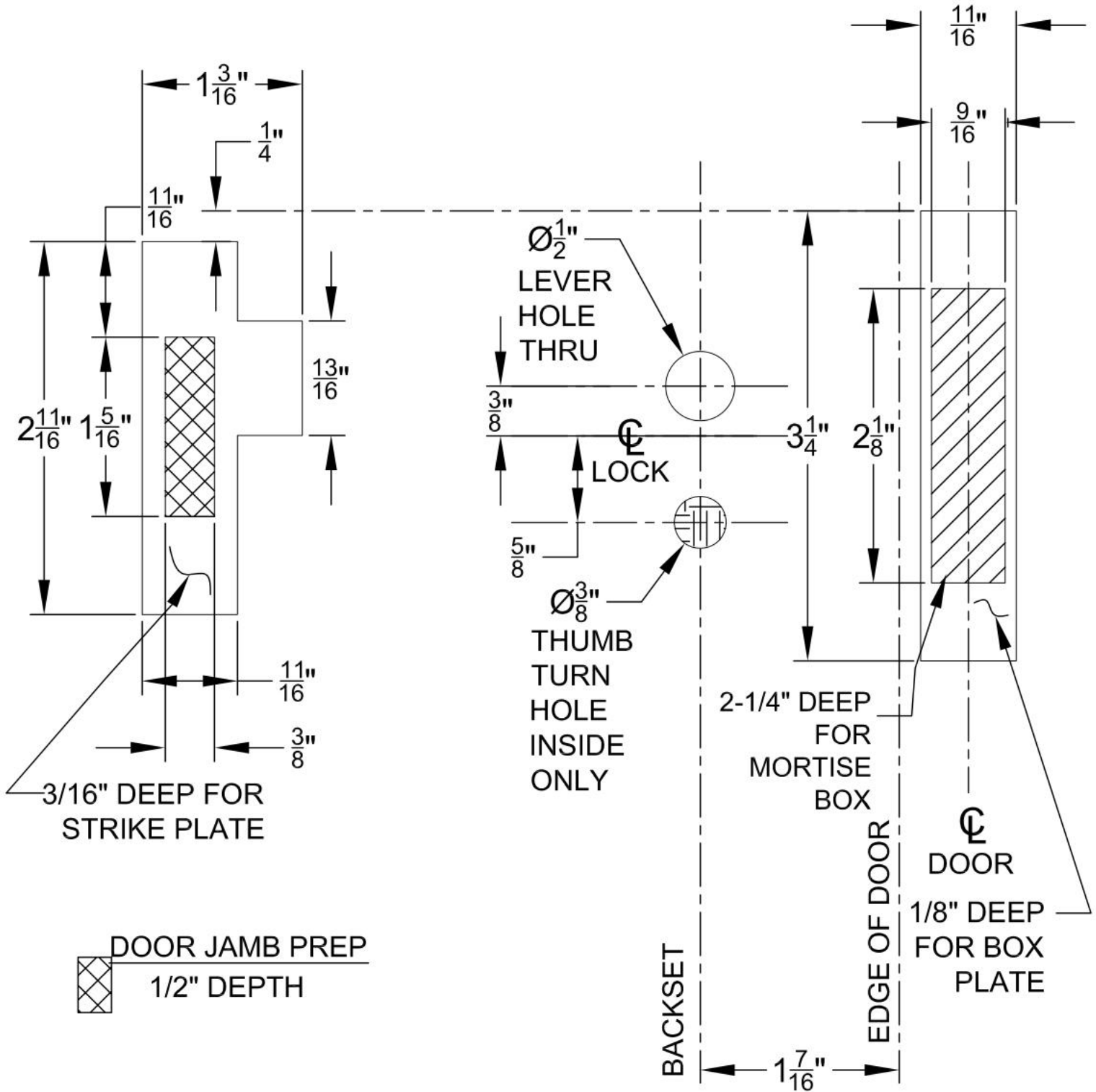
With all the springs removed, lift latch from mortise box

Note new latch nose orientation



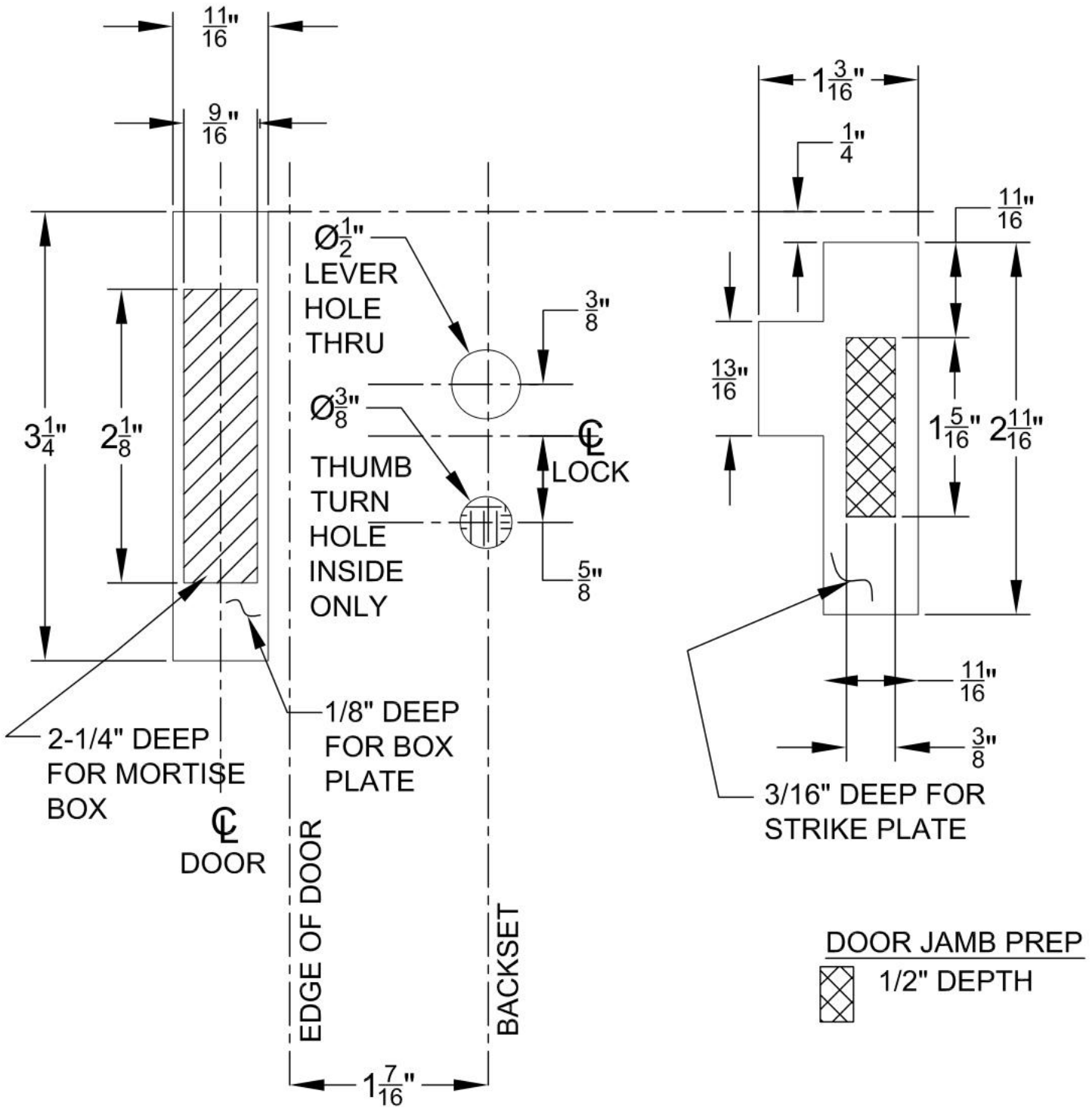
Rotate latch as shown & reverse steps 1-3 to reassemble

# ACTIVE SCREEN DOOR MORTISE LOCK HOLE PREPARATION (LEFT HAND)\*



NOTE:  
THIS TEMPLATE IS DESIGNED FOR USE ON 1" THICK DOOR.

# ACTIVE SCREEN DOOR MORTISE LOCK HOLE PREPARATION (RIGHT HAND)\*



NOTE:  
THIS TEMPLATE IS DESIGNED FOR USE ON 1" THICK DOOR.

IN4-SCREENDOOR-R 05-09-08